



INSTALLATION TIPS

1963-1967 CORVETTE FRONT BUMPERS

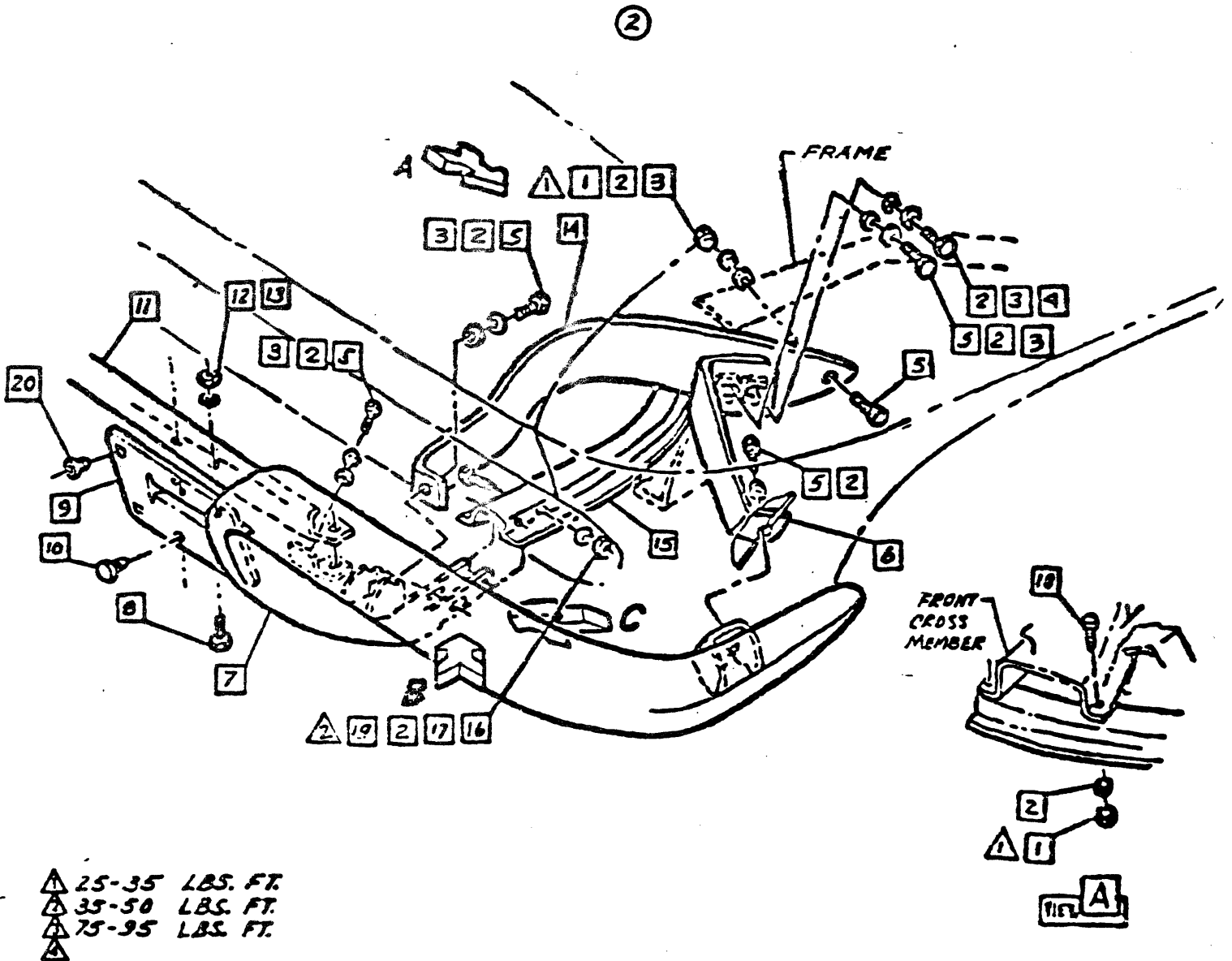


C2 Front Bumper Install Tips

1. Begin installation with the front inner brackets which protrude from below the bumper cover
2. Some slight adjustment of brackets may be necessary
3. Only install each bolt by a few threads so you can adjust the fitment before final tightening
4. Remember to install the center bar before tightening any hardware
5. Tighten hardware from the center of the vehicle outwards, with the center bar being last. Torque values can be found on the attached AIM Sheet(s)
 - a. Front Inner Brackets
 - b. Front Outer Brackets
 - c. Front Outer Bolt (through fiberglass)
 - d. Center Bar

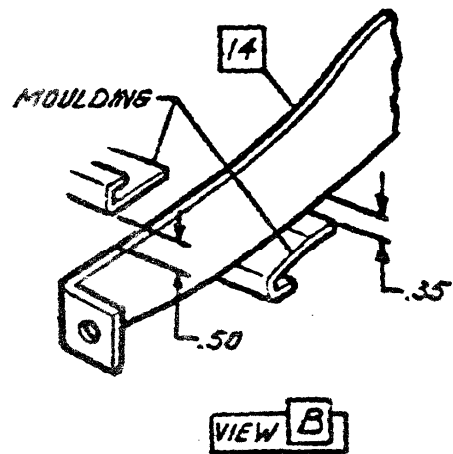
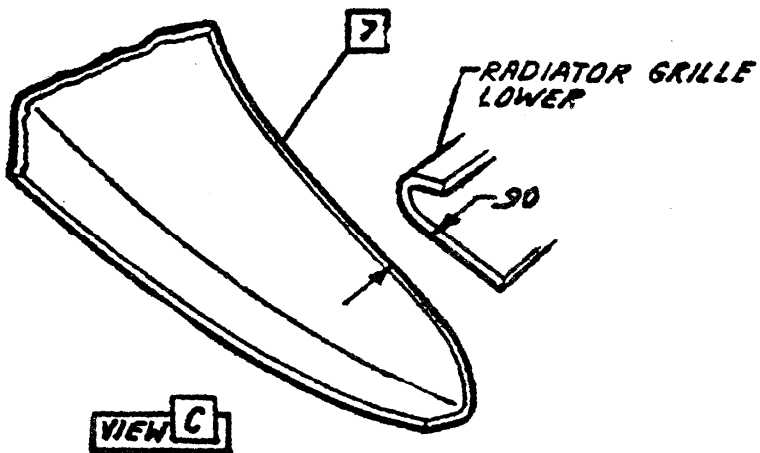
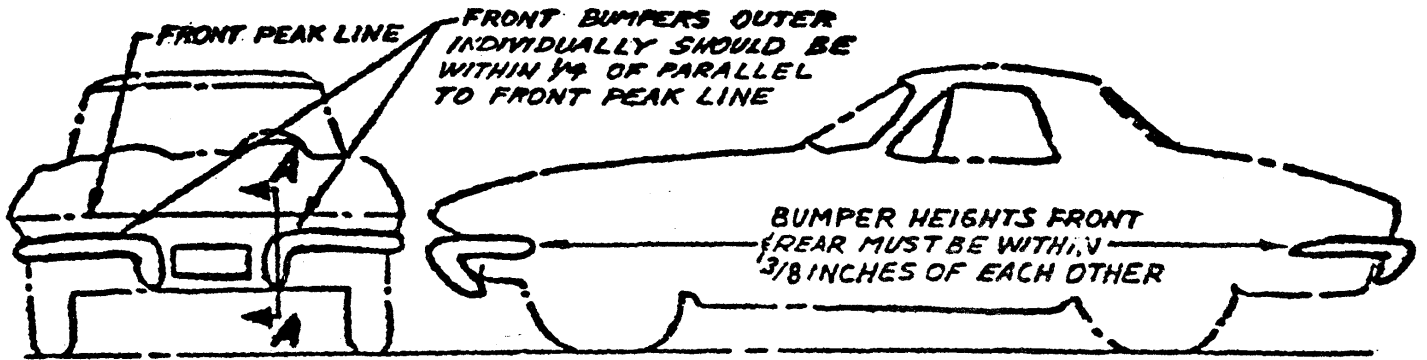
- 1 124573 NUT
- 2 103328 L WASHER
- ① 3 343276 P WASHER
- ⚠ 4 122893 BOLT
- ⚠ 5 122267 BOLT
- 6 3848217-8 BRACE-OUTER L/RH
- 7 3797337-8 BUMPER ASM L/RH
- 8 180018 BOLT
- 9 3878898 BRACKET
- 10 3742359 BUMPER

- 11 3797439 BAR ASM-CENTER FACE
- ⚠ 12 134551 NUT
- 13 103319 L WASHER
- 14 3866405-6 BRACE ASM-CENTER L/RH
- 15 3848219-20 BRACE ASM-INNER L/RH
- 16 3418890 BOLT
- 17 3626311 SPACER
- 18 122253 BOLT
- 19 3418897 NUT
- 20 3869819 NUT



- △ 25-35 LBS. FT.
- △ 35-50 LBS. FT.
- △ 75-95 LBS. FT.

• CHEVROLET MOTOR DIVISION, GMAC •		IPC	DATE	SYM	REVISION RECORD	AUTH	DR	CR
FRONT BUMPER		14	5-28-65	1	WAS 120395 WASHER	TCLL	DM	CI
19000		REF A3	8-4-65	2	VIEW MOVED TO SH. A3			LS CI
DWG PREL 4-2		CS	REF: Prel. A1	L-58009	L-			
DATE REL. 5-1		CI	L-	L-	L-			



CHEVROLET MOTOR DIVISION, GMAC				UPC	DATE	SYM	REVISION RECORD	AMTL	DR	CR
FRONT BUMPER				14						
19000				REF. A2						
A3										
SHEET X										
DWG 7-30	CS	REF. ECR 72065	L-							
DATE REL. 8-4	CI	L- L-	L-							